

8888
EMMARK UK LTD

THE ORIGINAL REPLACEMENT



PISTONS
TECHNICAL DIMENSIONS

Contents Page

1 CASE -IH

6 CATERPILLAR

7 CUMMINS

9 DAVID BROWN

11 DEUTZ

13 FIAT

18 FORD

28 JOHN DEERE

33 LAND ROVER

35 LEYLAND

37 LISTER

42 MASSEY FERGUSON

44 MWM

45 PERKINS

59 PETTER

61 VOLVO


D I S C L A I M E R

The contents of these catalogues have been prepared to exacting Emmark UK standards. However, responsibility cannot be accepted for errors, omissions and other inaccuracies that may occur.

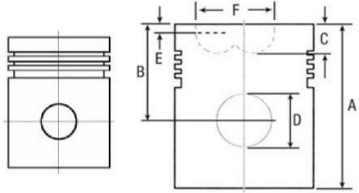
The parts on our list and website are Emmark parts numbers and are not manufactured by the Original Equipment Manufacturer (OEM).




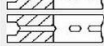

Original Manufacturer's names, part numbers and descriptions are quoted for reference purposes only and are not intended to indicate or suggest that our replacement parts are made by the OEM.

CASE-IH



BORE ϕ	A (mm)	B (mm)	C (mm)	D (mm)	E (mm)	F (mm)
88.90	98.98	50.95		28.00		



	Ring Width	2.38mm
	Ring Width	2.38mm
	Ring Width	2.38mm
	Ring Width	4.76mm
	Ring Width	4.76mm


Part Number:

Description:

Engine:




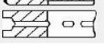
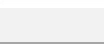
Piston OE:

Ring OE:



BORE ϕ	A (mm)	B (mm)	C (mm)	D (mm)	E (mm)	F (mm)
88.90	99.01	50.97		28.00		



	Ring Width	2.38mm
	Ring Width	2.38mm
	Ring Width	2.38mm
	Ring Width	4.76mm
	Ring Width	4.76mm


Part Number:

Description:

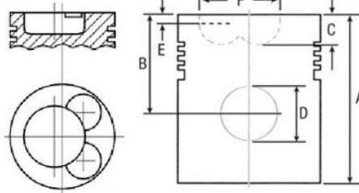
Engine:


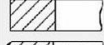

Piston OE:

Ring OE:



BORE ϕ	A (mm)	B (mm)	C (mm)	D (mm)	E (mm)	F (mm)
93.663	94.70	51.15	-6.50	28.50	-0.60	51.50



	Ring Width	3.12mm
	Ring Width	3.16mm
	Ring Width	6.27mm

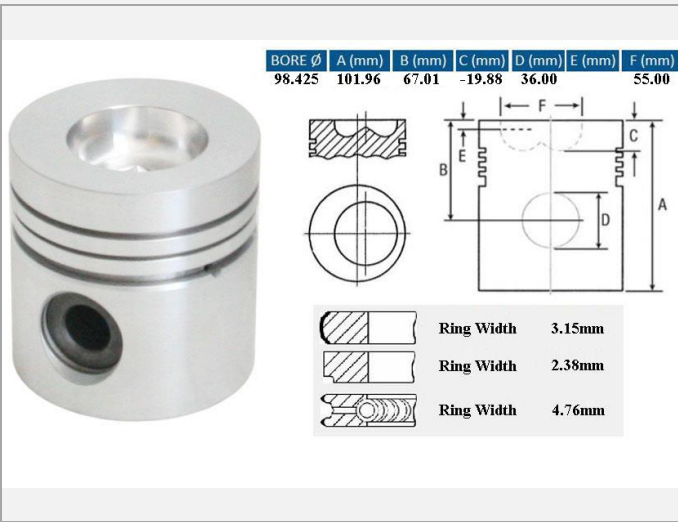
Part Number:

Description:

Engine:

Piston OE:

Ring OE:



Part Number:

Description:

Engine:

Piston OE:

Ring OE:



Part Number:

Description:

Engine:

Piston OE:

Ring OE:



Part Number:

Description:

Engine:

Piston OE:

Ring OE:



BORE Ø	A (mm)	B (mm)	C (mm)	D (mm)	E (mm)	F (mm)
101.600	135.10	79.07	-8.95	33.34		59.80



	Ring Width	2.38mm
	Ring Width	2.38mm
	Ring Width	2.38mm
	Ring Width	6.35mm
	Ring Width	6.35mm

Part Number:

Description:

Engine:

Piston OE:

Ring OE:



BORE Ø	A (mm)	B (mm)	C (mm)	D (mm)	E (mm)	F (mm)
101.600	135.10	79.07	-8.95	33.34		59.80



	Ring Width	2.38mm
	Ring Width	2.38mm
	Ring Width	2.38mm
	Ring Width	6.35mm
	Ring Width	6.35mm


Part Number:

Description:

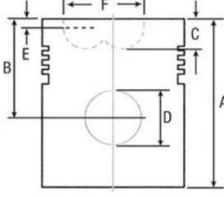
Engine:




Piston OE:

Ring OE:



BORE Ø	A (mm)	B (mm)	C (mm)	D (mm)	E (mm)	F (mm)
100.00	107.00	66.93	-22.28	35.88		57.40



	Ring Width	3.16mm
	Ring Width	2.38mm
	Ring Width	4.71mm

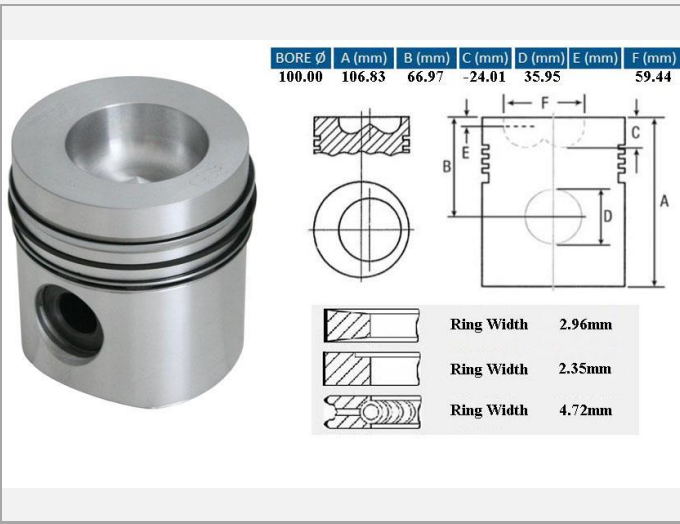
Part Number:

Description:

Engine:

Piston OE:

Ring OE:



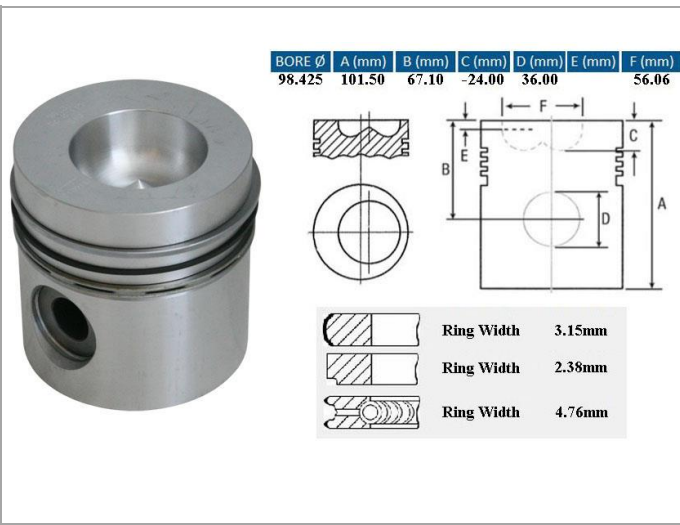
Part Number:

Description:

Engine:

Piston OE:

Ring OE:



Part Number:

Description:

Engine:

Piston OE:

Ring OE:



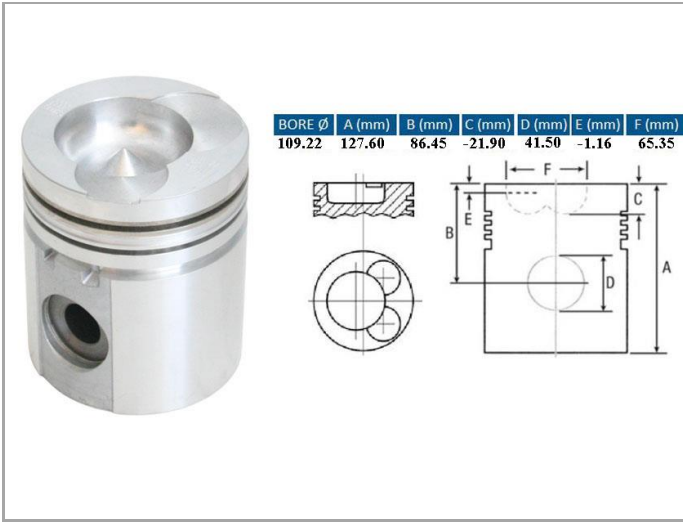
Part Number:

Description:

Engine:

Piston OE:

Ring OE:



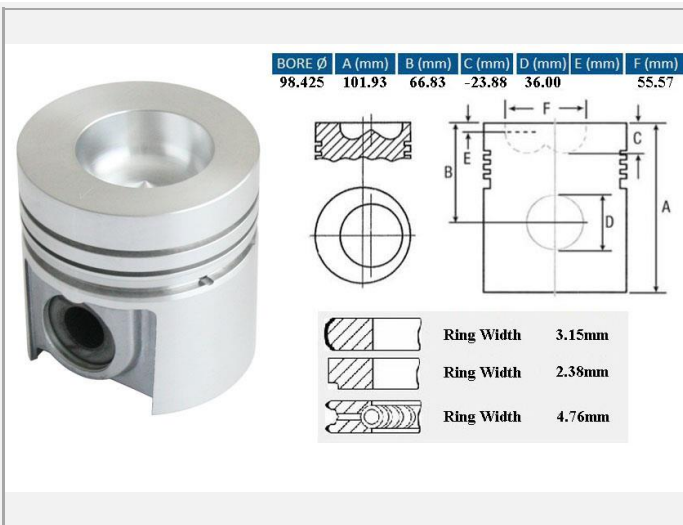
Part Number:

Description:

Engine:

Piston OE:

Ring OE:



Part Number:

Description:

Engine:


Piston OE:

Ring OE:



BORE Ø	A (mm)	B (mm)	C (mm)	D (mm)	E (mm)	F (mm)
120.65	129.77	73.54	-19.65	42.80	-1.60	84.90



	Ring Width	3.00mm
	Ring Width	2.75mm
	Ring Width	3.10mm

Part Number:

Description:

Engine:

Piston OE:

Ring OE:



BORE Ø	A (mm)	B (mm)	C (mm)	D (mm)	E (mm)	F (mm)
120.65	115.00	74.00	-13.00	38.00	-7.00	101.00



	Ring Width	3.15mm
	Ring Width	2.30mm
	Ring Width	5.50mm


Part Number:

Description:

Engine:



Piston OE:

Ring OE:



BORE Ø	A (mm)	B (mm)	C (mm)	D (mm)	E (mm)	F (mm)
102.019	105.50	71.60	-22.50	40.00		51.30



	Ring Width	2.30mm
	Ring Width	1.78mm
	Ring Width	3.38mm

Part Number: EM5151

Description: RINGS TO SUIT - EM4921
AVAILABLE AT STD/020
PISTON ASSEMBLY - EM5986

Engine: 4B, 4BT, 4BTA, 6B, 6BT, 6BTA

Piston OE: 3926631

Ring OE: A77727



BORE Ø	A (mm)	B (mm)	C (mm)	D (mm)	E (mm)	F (mm)
102.019	105.20	71.50	-17.80	40.00		58.80



	Ring Width	2.30mm
	Ring Width	1.78mm
	Ring Width	3.38mm

Part Number: EM5483

Description: RINGS TO SUIT - EM4921
AVAILABLE AT STD

Engine: 4B, 4BT, 4BTA, 6B, 6BT, 6BTA

Piston OE: 3802160

Ring OE: A77727



BORE Ø	A (mm)	B (mm)	C (mm)	D (mm)	E (mm)	F (mm)
102.019	105.20	71.50	-17.50	40.00		63.90



	Ring Width	2.30mm
	Ring Width	1.78mm
	Ring Width	3.38mm

Part Number: EM5484P+P

Description: RINGS TO SUIT - EM4921
AVAILABLE AT STD/020
PISTON ASSEMBLY - EM5484

Engine: 4B, 4BT, 4BTA, 6B, 6BT, 6BTA

Piston OE: A77733

Ring OE: A77727



BORE ϕ	A (mm)	B (mm)	C (mm)	D (mm)	E (mm)	F (mm)
114.00	120.52	78.83	-23.32	45.00		56.74



	Ring Width	3.30mm
	Ring Width	2.85mm
	Ring Width	3.92mm

Part Number:

Description:

Engine:

Piston OE:

Ring OE:



BORE ϕ	A (mm)	B (mm)	C (mm)	D (mm)	E (mm)	F (mm)
114.00	120.33	78.83	-23.00	45.00		63.40



	Ring Width	3.30mm
	Ring Width	2.85mm
	Ring Width	3.92mm

Part Number:

Description:

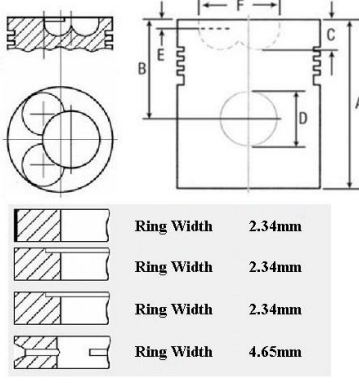
Engine:




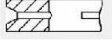
Piston OE:

Ring OE:



BORE Ø	A (mm)	B (mm)	C (mm)	D (mm)	E (mm)	F (mm)
92.075	99.21	60.39	-16.92	31.75	-5.10	57.10



-  Ring Width 2.34mm
-  Ring Width 2.34mm
-  Ring Width 2.34mm
-  Ring Width 4.65mm

Part Number: EM2088P+P

Description: RINGS TO SUIT - EM2089
AVAILABLE AT STD
PISTON ASSEMBLY - EM2088

Engine: AD4/47

Piston OE: K902668

Ring OE: K67922



BORE Ø	A (mm)	B (mm)	C (mm)	D (mm)	E (mm)	F (mm)
100.046	111.91	66.73	-15.91	31.75	-5.10	58.26



-  Ring Width 2.34mm
-  Ring Width 2.34mm
-  Ring Width 2.34mm
-  Ring Width 4.65mm

Part Number: EM2092P+P

Description: RINGS TO SUIT - EM2093
AVAILABLE AT STD/020/030/040
PISTON ASSEMBLY - EM2092

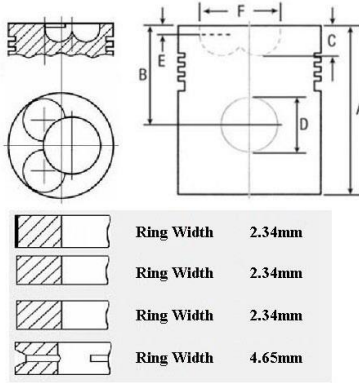
Engine: AD3/49, AD4/49

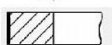

Piston OE: K949721

Ring OE: K261069



BORE Ø	A (mm)	B (mm)	C (mm)	D (mm)	E (mm)	F (mm)
100.046	105.56	60.38	-19.29	31.75	-5.40	58.74



-  Ring Width 2.34mm
-  Ring Width 2.34mm
-  Ring Width 2.34mm
-  Ring Width 4.65mm

Part Number: EM2094P+PSTD

Description: RINGS TO SUIT - EM2093
AVAILABLE AT STD/020/030/040
PISTON ASSEMBLY - EM2094

Engine: AD3/55, AD4/55

Piston OE: K949474

Ring OE: K261069



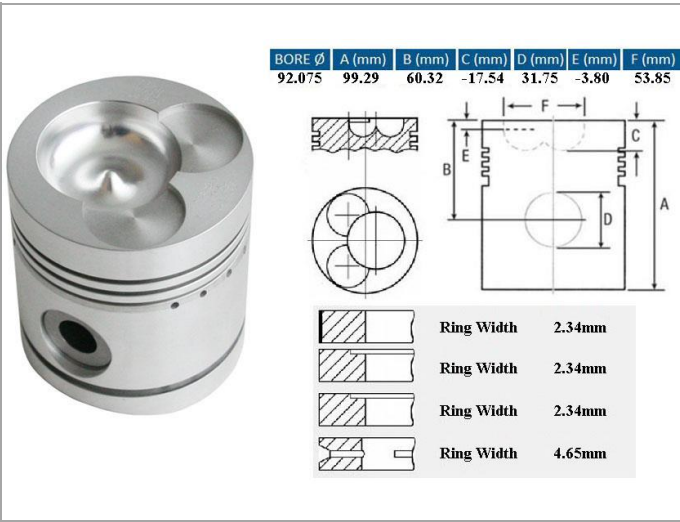
Part Number: EM3593

Description: RINGS TO SUIT - EM2093
AVAILABLE AT STD/020/030/040

Engine: AD4/55, AD4/55T, AD6/55, AD6/55T

Piston OE: K944573

Ring OE: K261069




Part Number: EM3922P+P

Description: RINGS TO SUIT - EM2089
AVAILABLE AT STD
PISTON ASSEMBLY - EM3922

Engine: 30D, 50D

Piston OE: K900806

Ring OE: K67922



BORE Ø	A (mm)	B (mm)	C (mm)	D (mm)	E (mm)	F (mm)
100.000	123.60	71.90	-21.40	35.00		54.96

- Ring Width 2.80mm
- Ring Width 2.48mm
- Ring Width 4.92mm

Part Number:

Description:

Engine:

Piston OE:

Ring OE:



BORE Ø	A (mm)	B (mm)	C (mm)	D (mm)	E (mm)	F (mm)
102.000	123.60	69.10	-20.50	35.00		55.92

- Ring Width 2.85mm
- Ring Width 2.50mm
- Ring Width 2.50mm
- Ring Width 5.00mm

Part Number:

Description:

Engine:

Piston OE:

Ring OE:



BORE Ø	A (mm)	B (mm)	C (mm)	D (mm)	E (mm)	F (mm)
102.000	123.60	69.10	-16.60	35.00		56.09

- Ring Width 2.76mm
- Ring Width 2.47mm
- Ring Width 4.92mm

Part Number:

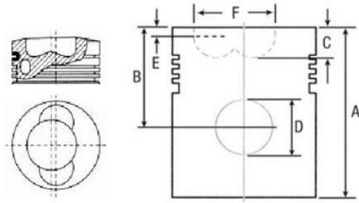
Description:

Engine:

Piston OE:

Ring OE:

BORE Ø	A (mm)	B (mm)	C (mm)	D (mm)	E (mm)	F (mm)
102.000	118.10	69.10	-18.40	35.00		



	Ring Width	2.76mm
	Ring Width	2.47mm
	Ring Width	4.92mm

Part Number:

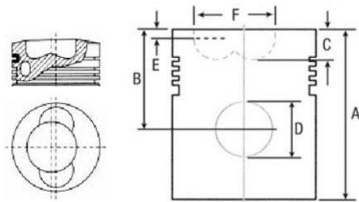
Description:

Engine:

Piston OE:

Ring OE:

BORE Ø	A (mm)	B (mm)	C (mm)	D (mm)	E (mm)	F (mm)
102.000	122.18	73.72	-22.09	40.00		58.02



	Ring Width	3.00mm
	Ring Width	3.00mm
	Ring Width	2.50mm
	Ring Width	5.00mm




Part Number:

Description:

Engine:




Piston OE:

Ring OE:



BORE Ø	A (mm)	B (mm)	C (mm)	D (mm)	E (mm)	F (mm)
95.000	101.17	59.62	-23.50	32.00		43.15



	Ring Width	2.46mm
	Ring Width	2.46mm
	Ring Width	5.45mm

Part Number:

Description:

Engine:

Piston OE:

Ring OE:



BORE Ø	A (mm)	B (mm)	C (mm)	D (mm)	E (mm)	F (mm)
100.000	109.00	65.20	-22.60	38.00		49.00



	Ring Width	2.46mm
	Ring Width	2.46mm
	Ring Width	3.94mm

Part Number:

Description:

Engine:


Piston OE:

Ring OE:



BORE Ø	A (mm)	B (mm)	C (mm)	D (mm)	E (mm)	F (mm)
100.000	101.15	59.60	-23.70	32.00		47.00



	Ring Width	2.46mm
	Ring Width	2.46mm
	Ring Width	5.45mm


Part Number:

Description:

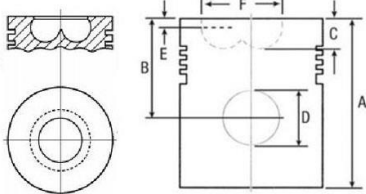
Engine:




Piston OE:

Ring OE:



BORE Ø	A (mm)	B (mm)	C (mm)	D (mm)	E (mm)	F (mm)
104.000	108.50	65.15	-22.50	38.00		52.10



	Ring Width	2.46mm
	Ring Width	2.46mm
	Ring Width	3.94mm


Part Number:

Description:

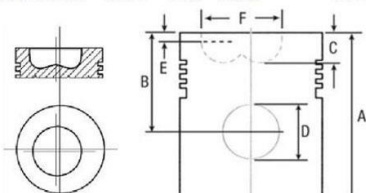
Engine:



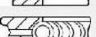
Piston OE:

Ring OE:



BORE Ø	A (mm)	B (mm)	C (mm)	D (mm)	E (mm)	F (mm)
103.000	101.15	59.60	-22.70	34.00		49.80



	Ring Width	2.46mm
	Ring Width	2.46mm
	Ring Width	3.94mm


Part Number:

Description:

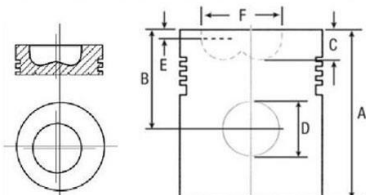
Engine:

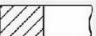

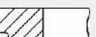

Piston OE:

Ring OE:



BORE Ø	A (mm)	B (mm)	C (mm)	D (mm)	E (mm)	F (mm)
110.000	150.21	75.31	-27.56	40.00		51.00



	Ring Width	2.46mm
	Ring Width	2.46mm
	Ring Width	2.46mm
	Ring Width	4.94mm

Part Number:

Description:

Engine:

Piston OE:

Ring OE:

BORE Ø	A (mm)	B (mm)	C (mm)	D (mm)	E (mm)	F (mm)
110.000	140.20	70.30	-25.30	40.00		55.00

	Ring Width	2.46mm
	Ring Width	2.46mm
	Ring Width	2.46mm
	Ring Width	4.94mm

Part Number:

Description:

Engine:

Piston OE:

Ring OE:

BORE Ø	A (mm)	B (mm)	C (mm)	D (mm)	E (mm)	F (mm)
84.950	90.05	50.31		28.00	-4.73	

	Ring Width	3.00mm
	Ring Width	3.00mm
	Ring Width	3.00mm
	Ring Width	5.45mm

Part Number:

Description:

Engine:

Piston OE:

Ring OE:

BORE Ø	A (mm)	B (mm)	C (mm)	D (mm)	E (mm)	F (mm)
104.000	108.50	65.15	-22.50	38.00		54.40

	Ring Width	2.80mm
	Ring Width	2.46mm
	Ring Width	3.94mm

Part Number:

Description:

Engine:

Piston OE:

Ring OE:

BORE Ø	A (mm)	B (mm)	C (mm)	D (mm)	E (mm)	F (mm)
104.000	104.30	65.15	-21.30	38.00		48.20

	Ring Width	2.80mm
	Ring Width	2.40mm
	Ring Width	3.90mm

Part Number:

Description:

Engine:

Piston OE:

Ring OE:

BORE Ø	A (mm)	B (mm)	C (mm)	D (mm)	E (mm)	F (mm)
115.000	140.50	76.50	-24.30	42.00	-0.90	59.01

	Ring Width	2.80mm
	Ring Width	2.46mm
	Ring Width	3.94mm

Part Number:

Description:

Engine:

Piston OE:

Ring OE:

BORE Ø	A (mm)	B (mm)	C (mm)	D (mm)	E (mm)	F (mm)
104.000	104.20	64.80	-21.50	37.00		48.10

	Ring Width	3.34mm
	Ring Width	2.50mm
	Ring Width	3.95mm

Part Number:

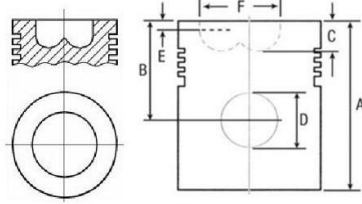
Description:

Engine:

Piston OE:

Ring OE:

BORE Ø	A (mm)	B (mm)	C (mm)	D (mm)	E (mm)	F (mm)
100.000	101.28	59.57	-23.75	34.00		47.20



	Ring Width	2.46mm
	Ring Width	2.46mm
	Ring Width	3.94mm

Part Number:

Description:

Engine:

Piston OE:

Ring OE:



BORE Ø	A (mm)	B (mm)	C (mm)	D (mm)	E (mm)	F (mm)
111.778	129.515	70.663	-18.57	38.10		63.40



Ring Width	2.36mm
Ring Width	2.36mm
Ring Width	2.36mm
Ring Width	4.72mm


Part Number: EM090

Description: RINGS TO SUIT - EMF6149W
AVAILABLE AT STD/020/030/040

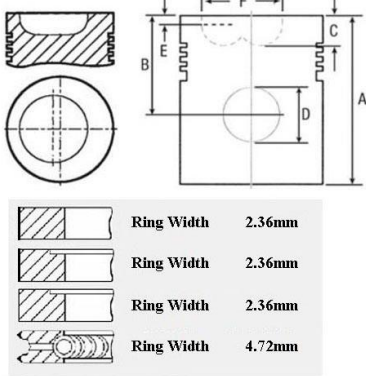
Engine: BSD442

Piston OE: F2NN6K100EA

Ring OE: DJPN6149W



BORE Ø	A (mm)	B (mm)	C (mm)	D (mm)	E (mm)	F (mm)
111.778	127.00	68.123	-19.71	38.10		63.40



Ring Width	2.36mm
Ring Width	2.36mm
Ring Width	2.36mm
Ring Width	4.72mm

Part Number: EM094

Description: RINGS TO SUIT - EMF6149W
AVAILABLE AT STD/020/030/040

Engine: BSD332, BSD333, BSD333H, BSD442, BSD444, BSD666

Piston OE: E0NN6108AA

Ring OE: DJPN6149W



BORE Ø	A (mm)	B (mm)	C (mm)	D (mm)	E (mm)	F (mm)
111.778	129.50	70.66	-18.25	38.00		61.90



Ring Width	2.36mm
Ring Width	2.36mm
Ring Width	2.36mm
Ring Width	4.72mm

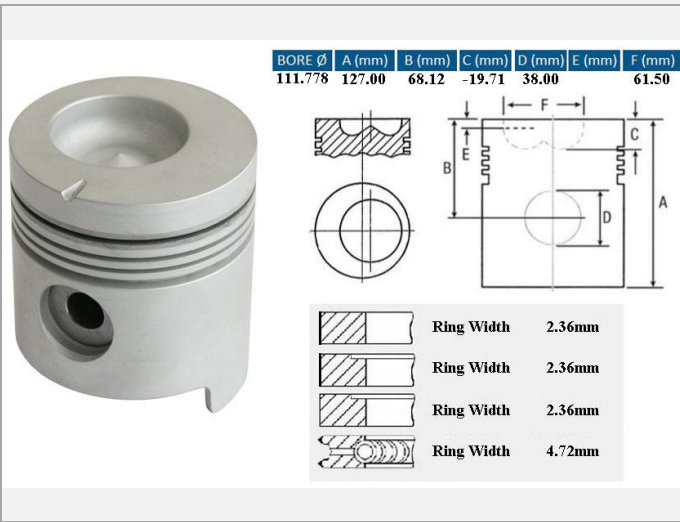
Part Number: EM1075

Description: RINGS TO SUIT - EMF6149W
AVAILABLE AT STD/020

Engine: BSD442

Piston OE: E7NN6108AA

Ring OE: DJPN6149W



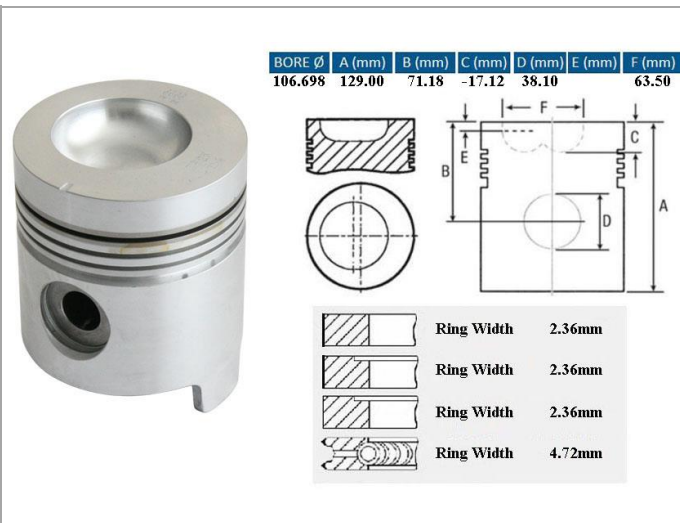
Part Number:

Description:

Engine:

Piston OE:

Ring OE:



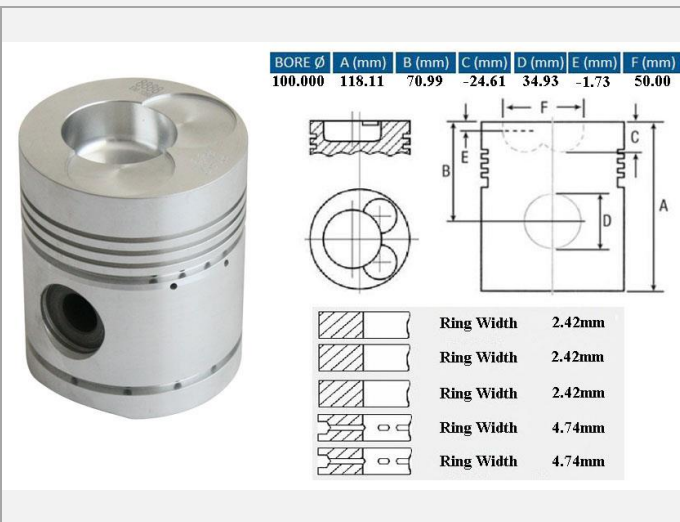
Part Number:

Description:

Engine:

Piston OE:

Ring OE:




Part Number:

Description:

Engine:



Piston OE:

Ring OE:



BORE Ø	A (mm)	B (mm)	C (mm)	D (mm)	E (mm)	F (mm)
111.776	126.98	68.12	-22.06	38.10		63.50



	Ring Width	3.00mm
	Ring Width	2.36mm
	Ring Width	2.36mm
	Ring Width	4.74mm

Part Number:

Description:

Engine:


Piston OE:

Ring OE:



BORE Ø	A (mm)	B (mm)	C (mm)	D (mm)	E (mm)	F (mm)
107.213	119.89	71.25	-27.69	36.51	-1.65	51.60



	Ring Width	2.42mm
	Ring Width	2.42mm
	Ring Width	2.42mm
	Ring Width	4.74mm

Part Number:

Description:

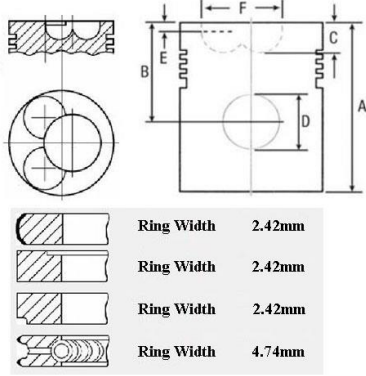
Engine:



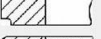

Piston OE:

Ring OE:



BORE Ø	A (mm)	B (mm)	C (mm)	D (mm)	E (mm)	F (mm)
104.775	118.11	71.03	-25.81	34.93	-1.75	51.50



	Ring Width	2.42mm
	Ring Width	2.42mm
	Ring Width	2.42mm
	Ring Width	4.74mm

Part Number:

Description:

Engine:

Piston OE:

Ring OE:



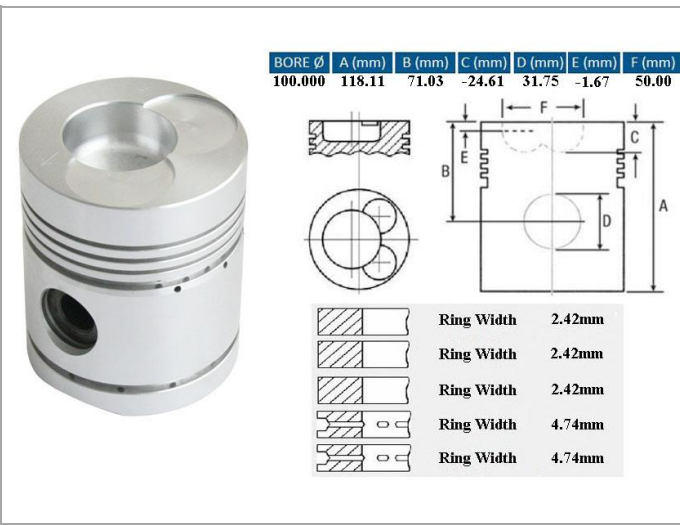
Part Number: EM2755

Description: RINGS TO SUIT - EM3398
 AVAILABLE AT STD/015/035/055
 ONLY AVAILABLE AS AN ASSEMBLY

Engine: 7AA, 2722E

Piston OE: 86103030

Ring OE: 81599871



Part Number: EM2982

Description: RINGS TO SUIT - EM6148A
 AVAILABLE AT STD

Engine: 592E

Piston OE: E1ADDN6110J

Ring OE: 510E6148A




Part Number: EM3259P+

Description: RINGS TO SUIT - EM3258
 AVAILABLE AT STD/020/030/040
 PISTON ASSEMBLY - EM3259

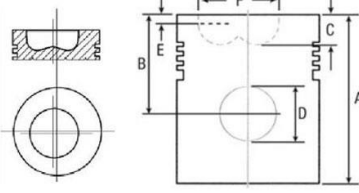
Engine: POWERSTAR 5.0T, POWERSTAR 7.5T



Piston OE: 87802371

Ring OE: 87801086



BORE Ø	A (mm)	B (mm)	C (mm)	D (mm)	E (mm)	F (mm)
111.770	126.60	73.25	-21.67	38.00		61.90



	Ring Width	2.38mm
	Ring Width	2.38mm
	Ring Width	4.74mm


Part Number:

Description:

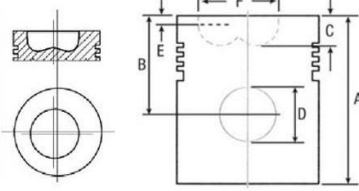
Engine:

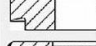
Piston OE:

Ring OE:



BORE Ø	A (mm)	B (mm)	C (mm)	D (mm)	E (mm)	F (mm)
111.770	134.20	80.87	-18.72	38.00		61.90



	Ring Width	2.38mm
	Ring Width	2.38mm
	Ring Width	4.74mm


Part Number:

Description:

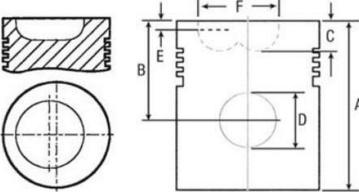
Engine:



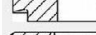

Piston OE:

Ring OE:



BORE Ø	A (mm)	B (mm)	C (mm)	D (mm)	E (mm)	F (mm)
111.778	126.75	67.87	-18.92	41.28		63.90



	Ring Width	3.00mm
	Ring Width	2.36mm
	Ring Width	2.36mm
	Ring Width	4.74mm

Part Number:

Description:

Engine:

Piston OE:

Ring OE:



Part Number:

Description:

Engine:

Piston OE:

Ring OE:



Part Number:

Description:

Engine:

Piston OE:

Ring OE:



Part Number:

Description:

Engine:

Piston OE:

Ring OE:



BORE Ø	A (mm)	B (mm)	C (mm)	D (mm)	E (mm)	F (mm)
111.778	129.26	70.38	-22.17	41.28		56.00



	Ring Width	3.00mm
	Ring Width	2.36mm
	Ring Width	2.36mm
	Ring Width	4.74mm

Part Number:

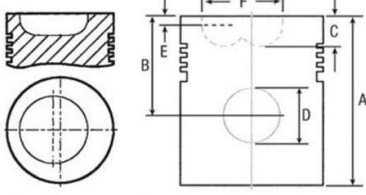
Description:


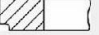

Engine:

Piston OE:

Ring OE:

BORE Ø	A (mm)	B (mm)	C (mm)	D (mm)	E (mm)	F (mm)
103.988	104.30	65.15	-21.30	38.00		85.00



	Ring Width	2.50mm
	Ring Width	2.50mm
	Ring Width	4.00mm


Part Number:

Description:

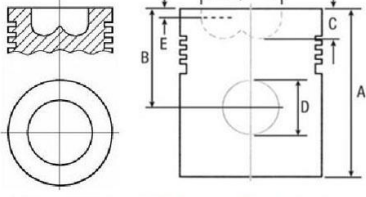
Engine:




Piston OE:

Ring OE:



BORE Ø	A (mm)	B (mm)	C (mm)	D (mm)	E (mm)	F (mm)
111.760	111.30	73.15	-24.10	38.10		57.30



	Ring Width	2.38mm
	Ring Width	2.38mm
	Ring Width	4.74mm

Part Number:

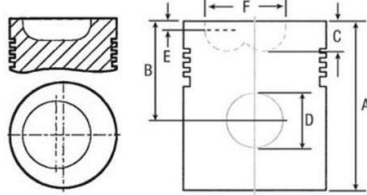
Description:

Engine:

Piston OE:

Ring OE:

BORE Ø	A (mm)	B (mm)	C (mm)	D (mm)	E (mm)	F (mm)
111.050	126.96	68.18	-19.53	38.10		63.48



	Ring Width	3.00mm
	Ring Width	2.36mm
	Ring Width	2.36mm
	Ring Width	4.74mm

Part Number: EM7551P+P

Description: RINGS TO SUIT - EMF6149E

AVAILABLE AT STD

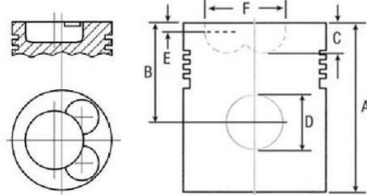
PISTON ASSEMBLY - EM7551

Engine: BSD333

Piston OE: 87800264

Ring OE: DFPN6149E

BORE Ø	A (mm)	B (mm)	C (mm)	D (mm)	E (mm)	F (mm)
104.770	119.89	71.29	-27.94	36.52	-1.65	



	Ring Width	3.18mm
	Ring Width	2.38mm
	Ring Width	2.38mm
	Ring Width	4.76mm

Part Number: EM7610

Description: RINGS TO SUIT - EM8156

AVAILABLE AT STD/025

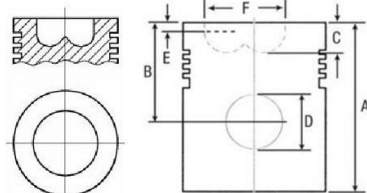
SOLD AS A 6 CYLINDER SET ONLY

Engine: 360T

Piston OE: 733F6102GCB

Ring OE:

BORE Ø	A (mm)	B (mm)	C (mm)	D (mm)	E (mm)	F (mm)
113.000	115.57	80.26	-15.72	44.90		81.00



Part Number: EM8506

Description: RINGS TO SUIT - EM8507

AVAILABLE AT STD

Engine:

Piston OE: 87685890

Ring OE: 87343194



BORE Ø	A (mm)	B (mm)	C (mm)	D (mm)	E (mm)	F (mm)
111.610	111.00	73.00	-22.75	41.28		56.54



	Ring Width	3.00mm
	Ring Width	2.38mm
	Ring Width	3.00mm

Part Number:

Description:

Engine:

Piston OE:

Ring OE:



BORE Ø	A (mm)	B (mm)	C (mm)	D (mm)	E (mm)	F (mm)
111.760	111.00	72.12	-23.10	41.25		56.40



	Ring Width	3.00mm
	Ring Width	2.36mm
	Ring Width	4.72mm


Part Number:

Description:

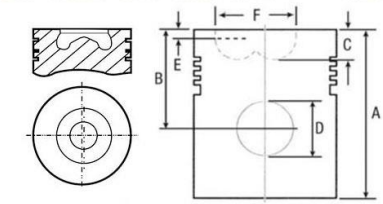
Engine:




Piston OE:

Ring OE:



BORE Ø	A (mm)	B (mm)	C (mm)	D (mm)	E (mm)	F (mm)
104.000	96.00	62.40	-24.00	38.00		48.00



	Ring Width	1.90mm
	Ring Width	2.43mm
	Ring Width	4.00mm

Part Number:

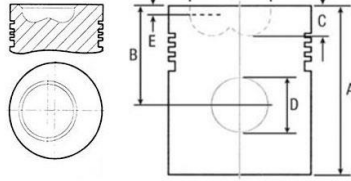
Description:

Engine:

Piston OE:

Ring OE:

BORE ϕ	A (mm)	B (mm)	C (mm)	D (mm)	E (mm)	F (mm)
111.760	111.00	73.50	-24.60	44.45		57.20



	Ring Width	3.00mm
	Ring Width	2.80mm
	Ring Width	4.75mm

Part Number:

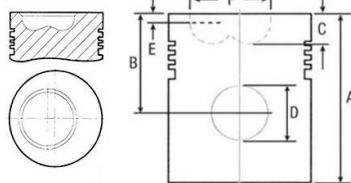
Description:

Engine:

Piston OE:

Ring OE:

BORE ϕ	A (mm)	B (mm)	C (mm)	D (mm)	E (mm)	F (mm)
111.760	126.70	67.90	-18.00	41.27		



	Ring Width	3.00mm
	Ring Width	2.36mm
	Ring Width	2.36mm
	Ring Width	4.74mm


Part Number:

Description:

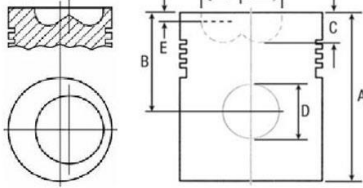
Engine:



Piston OE:

Ring OE:



BORE Ø	A (mm)	B (mm)	C (mm)	D (mm)	E (mm)	F (mm)
98.040	99.22	57.27	-16.51	30.17		59.00



	Ring Width	2.40mm
	Ring Width	2.40mm
	Ring Width	5.00mm

Part Number: EM1435

Description: RINGS TO SUIT - EM1499
AVAILABLE AT STD

Engine: 3152D, 4202D, 6303D

Piston OE: T23481

Ring OE: AR70633



BORE Ø	A (mm)	B (mm)	C (mm)	D (mm)	E (mm)	F (mm)
102.000	111.94	66.20	-21.30	34.89		54.19



	Ring Width	2.95mm
	Ring Width	2.36mm
	Ring Width	4.95mm

Part Number: EM1437

Description: RINGS TO SUIT - EM1500
AVAILABLE AT STD

Engine: 3164D, 4219D, 6329D

Piston OE: AR77762

Ring OE: AR55759



BORE Ø	A (mm)	B (mm)	C (mm)	D (mm)	E (mm)	F (mm)
106.500	111.90	66.40	-18.48	34.99		58.50



	Ring Width	3.00mm
	Ring Width	2.36mm
	Ring Width	3.43mm

Part Number: EM1490

Description: RINGS TO SUIT - EM1501
AVAILABLE AT STD

Engine: 3029D, 3179D, 4239D, 6359D

Piston OE: RE19282

Ring OE: RE66820



BORE ϕ	A (mm)	B (mm)	C (mm)	D (mm)	E (mm)	F (mm)
106.500	111.90	66.40	-18.48	34.99		58.50



	Ring Width	3.00mm
	Ring Width	2.36mm
	Ring Width	3.43mm

Part Number: EM1490-H


Description: RINGS TO SUIT - EM1501

AVAILABLE AT STD

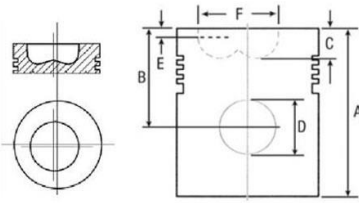
Engine: 3029D, 3179D, 4239D, 6359D




Piston OE: RE19283

Ring OE: RE66820



BORE ϕ	A (mm)	B (mm)	C (mm)	D (mm)	E (mm)	F (mm)
102.000	103.10	57.35	-21.20	30.17		54.50



	Ring Width	2.95mm
	Ring Width	2.36mm
	Ring Width	4.95mm

Part Number: EM3417

Description: RINGS TO SUIT - EM1500

AVAILABLE AT STD

Engine: 3164D

Piston OE: RE53265

Ring OE: AR55759



BORE ϕ	A (mm)	B (mm)	C (mm)	D (mm)	E (mm)	F (mm)
108.000	124.60	70.00	-23.40	41.27		60.76



	Ring Width	3.85mm
	Ring Width	3.85mm
	Ring Width	4.70mm

Part Number: EM3418

Description: RINGS TO SUIT - EM3424

AVAILABLE AT STD

Engine: 6404T

Piston OE: AR58704

Ring OE: AR51741

BORE Ø	A (mm)	B (mm)	C (mm)	D (mm)	E (mm)	F (mm)
108.000	124.60	70.10	-18.90	38.00		63.20

- Ring Width 3.00mm
- Ring Width 2.38mm
- Ring Width 4.64mm

Part Number:

Description:

Engine:

Piston OE:

Ring OE:

BORE Ø	A (mm)	B (mm)	C (mm)	D (mm)	E (mm)	F (mm)
108.000	124.50	70.00	-18.30	38.10		

- Ring Width 3.00mm
- Ring Width 2.38mm
- Ring Width 6.32mm

Part Number:

Description:

Engine:

Piston OE:

Ring OE:

BORE Ø	A (mm)	B (mm)	C (mm)	D (mm)	E (mm)	F (mm)
108.000	124.20	70.00	-14.70	38.10		

- Ring Width 3.00mm
- Ring Width 2.38mm
- Ring Width 6.32mm

Part Number:

Description:

Engine:

Piston OE:

Ring OE:



BORE ϕ	A (mm)	B (mm)	C (mm)	D (mm)	E (mm)	F (mm)
116.000	125.00	70.40	-19.50	47.62	-0.68	68.50



	Ring Width	4.00mm
	Ring Width	4.00mm
	Ring Width	4.76mm

Part Number:

Description:

Engine:

Piston OE:

Ring OE:



BORE ϕ	A (mm)	B (mm)	C (mm)	D (mm)	E (mm)	F (mm)
106.500	112.00	66.30	-18.75	41.30		58.50



	Ring Width	3.00mm
	Ring Width	2.36mm
	Ring Width	3.43mm


Part Number:

Description:

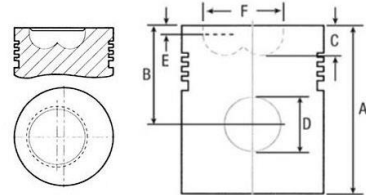
Engine:




Piston OE:

Ring OE:



BORE ϕ	A (mm)	B (mm)	C (mm)	D (mm)	E (mm)	F (mm)
106.500	120.00	71.70	-22.20	41.27		60.00



	Ring Width	3.00mm
	Ring Width	2.36mm
	Ring Width	3.43mm

Part Number:

Description:

Engine:

Piston OE:

Ring OE:



BORE ϕ	A (mm)	B (mm)	C (mm)	D (mm)	E (mm)	F (mm)
106.500	104.60	71.70	-25.50	41.27		56.95

	Ring Width	3.00mm
	Ring Width	2.36mm
	Ring Width	3.43mm

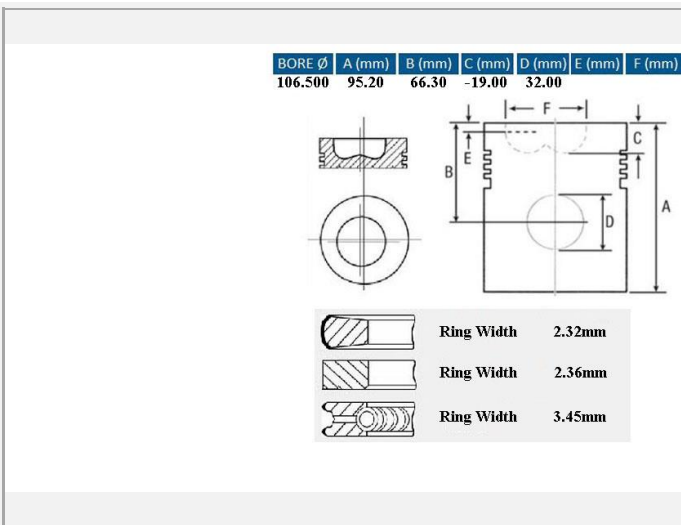
Part Number:

Description:

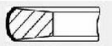
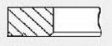
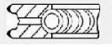
Engine:

Piston OE:

Ring OE:



BORE ϕ	A (mm)	B (mm)	C (mm)	D (mm)	E (mm)	F (mm)
106.500	95.20	66.30	-19.00	32.00		

	Ring Width	2.32mm
	Ring Width	2.36mm
	Ring Width	3.45mm

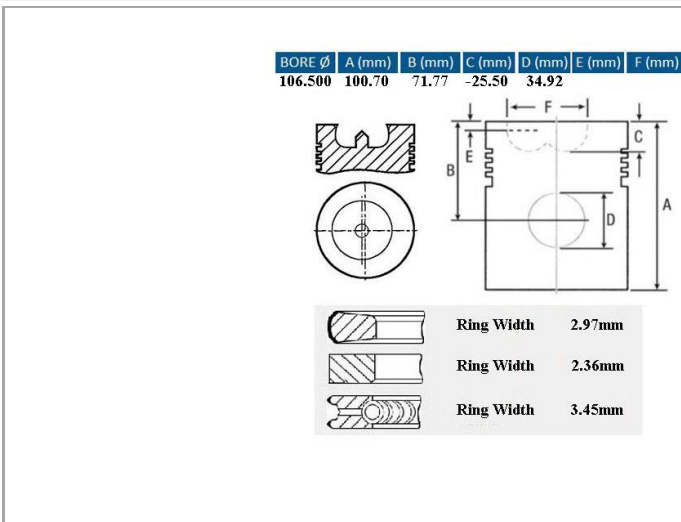
Part Number:

Description:

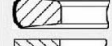


Engine:

Piston OE:

Ring OE:



BORE ϕ	A (mm)	B (mm)	C (mm)	D (mm)	E (mm)	F (mm)
106.500	100.70	71.77	-25.50	34.92		

	Ring Width	2.97mm
	Ring Width	2.36mm
	Ring Width	3.45mm

Part Number:

Description:

Engine:

Piston OE:

Ring OE:

LAND ROVER



BORE Ø	A (mm)	B (mm)	C (mm)	D (mm)	E (mm)	F (mm)
90.470	99.92	58.52		25.40		



	Ring Width	1.78mm
	Ring Width	1.78mm
	Ring Width	4.72mm

Part Number:

Description:

Engine:

Piston OE:

Ring OE:



BORE Ø	A (mm)	B (mm)	C (mm)	D (mm)	E (mm)	F (mm)
90.470	100.05	58.65	-6.27	30.16		



	Ring Width	2.36mm
	Ring Width	2.36mm
	Ring Width	2.36mm
	Ring Width	4.67mm

Part Number:

Description:

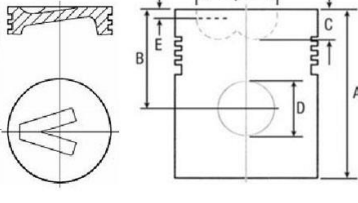
Engine:

Piston OE:

Ring OE:



BORE Ø	A (mm)	B (mm)	C (mm)	D (mm)	E (mm)	F (mm)
90.470	86.31	54.60	-3.52	30.16		



	Ring Width	1.98mm
	Ring Width	1.98mm
	Ring Width	3.94mm

Part Number:

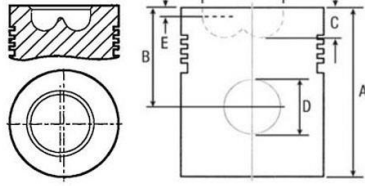
Description:

Engine:

Piston OE:

Ring OE:

BORE Ø	A (mm)	B (mm)	C (mm)	D (mm)	E (mm)	F (mm)
90.470	91.90	55.40	-18.45	30.16		38.70



	Ring Width	3.00mm
	Ring Width	2.50mm
	Ring Width	3.00mm

Part Number:

Description:

Engine:

Piston OE:

Ring OE:



BORE Ø	A (mm)	B (mm)	C (mm)	D (mm)	E (mm)	F (mm)
100.000	120.80	70.27	-26.80	34.93		42.00



	Ring Width	3.66mm
	Ring Width	2.34mm
	Ring Width	2.34mm
	Ring Width	6.32mm
	Ring Width	6.32mm

Part Number: EM2315-A

Description: RINGS TO SUIT - EM2316
AVAILABLE AT STD
PISTON ASSEMBLY EM2315

Engine: 2.8T, 2.8TD, 3.8T, 3.8TA, 3.8TD

Piston OE: 37D426

Ring OE: AHM9025



BORE Ø	A (mm)	B (mm)	C (mm)	D (mm)	E (mm)	F (mm)
95.000	120.80	70.26	-23.44	34.93		53.98



	Ring Width	3.73mm
	Ring Width	2.35mm
	Ring Width	2.35mm
	Ring Width	6.30mm
	Ring Width	6.30mm


Part Number: EM2318

Description: RINGS TO SUIT - EM2319-T
AVAILABLE AT STD
ONLY AVAILABLE AS AN ASSEMBLY

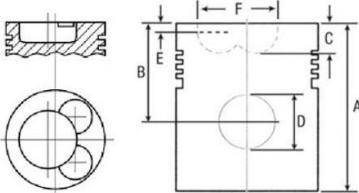
Engine: 2.6, 3.4T, 51UD, OEA, OEB, OEG 34T


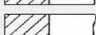
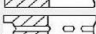
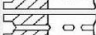
Piston OE: 37D976

Ring OE: AHM9023



BORE Ø	A (mm)	B (mm)	C (mm)	D (mm)	E (mm)	F (mm)
98.000	116.31	68.25	-24.94	34.93	-2.30	56.25



	Ring Width	2.34mm
	Ring Width	2.34mm
	Ring Width	2.34mm
	Ring Width	6.30mm
	Ring Width	4.74mm

Part Number: EM2321P+P

Description: RINGS TO SUIT - EM2322
AVAILABLE AT STD
PISTON ASSEMBLY - EM2321

Engine: 4.98DT, 4.98NT, 6.98NT

Piston OE: 96K570

Ring OE: AHM9014



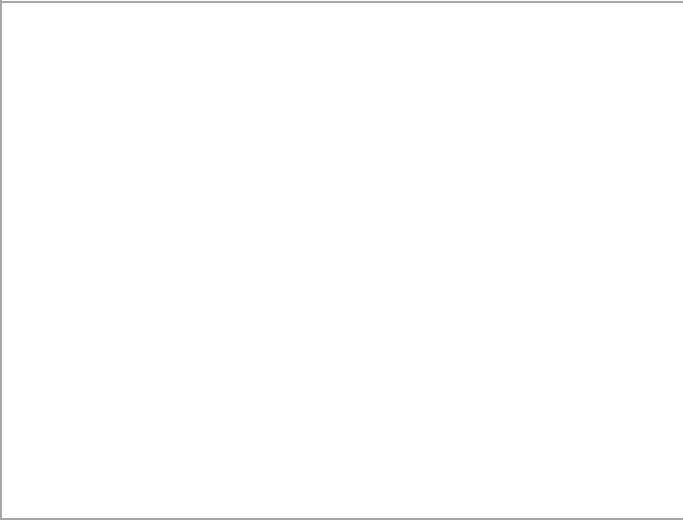
Part Number:

Description:

Engine:

Piston OE:

Ring OE:



Part Number:

Description:

Engine:

Piston OE:

Ring OE:

LISTER



BORE Ø	A (mm)	B (mm)	C (mm)	D (mm)	E (mm)	F (mm)
88.900	103.19	65.14	-17.22	29.37		33.80



	Ring Width	3.10mm
	Ring Width	2.38mm
	Ring Width	2.38mm
	Ring Width	3.94mm
	Ring Width	3.94mm

Part Number: EM3289

Description: RINGS TO SUIT - EMR20900K
AVAILABLE AT STD/020/030/040/060

Engine: SR1, SR2, SR3, SR4

Piston OE: 570-10940

Ring OE: 570-1214



BORE Ø	A (mm)	B (mm)	C (mm)	D (mm)	E (mm)	F (mm)
95.250	103.19	65.15	-16.08	33.34		44.75



	Ring Width	3.10mm
	Ring Width	2.38mm
	Ring Width	2.38mm
	Ring Width	4.76mm
	Ring Width	4.76mm

Part Number: EM3290-STD

Description: RINGS TO SUIT - EMR26834
AVAILABLE AT STD/020/040
PISTON ASSEMBLY - EM2992

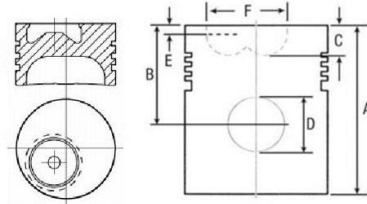
Engine: ST1, ST2, ST3, TS1, TS2, TS3

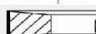

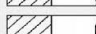
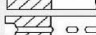
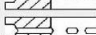
Piston OE: 570-12840

Ring OE: 570-12910



BORE Ø	A (mm)	B (mm)	C (mm)	D (mm)	E (mm)	F (mm)
101.650	127.00	73.08	-21.26	36.51		47.55



	Ring Width	4.67mm
	Ring Width	3.18mm
	Ring Width	3.18mm
	Ring Width	4.76mm
	Ring Width	4.76mm

Part Number: EM3291-STD

Description: RINGS TO SUIT - EMR18550K
AVAILABLE AT STD/020/030/040/060
PISTON ASSEMBLY - EM4362

Engine: HA2, HA3, HA4, HA6, HB2, HB3, HB4, HB6, HW2, HW3, HW4, HW6

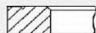
Piston OE: 351-19252

Ring OE: 572-1193



BORE Ø	A (mm)	B (mm)	C (mm)	D (mm)	E (mm)	F (mm)
107.950	127.00	73.08	-21.72	39.69		50.70



	Ring Width	3.85mm
	Ring Width	3.18mm
	Ring Width	3.18mm
	Ring Width	4.76mm
	Ring Width	4.76mm

Part Number:

Description:


AVAILABLE AT
STD/010/020/030/040/060

PISTON ASSEMBLY - EM2379

Engine:



Piston OE:

Ring OE:



BORE Ø	A (mm)	B (mm)	C (mm)	D (mm)	E (mm)	F (mm)
114.300	137.16	64.83		31.75		



	Ring Width	4.70mm
	Ring Width	3.18mm
	Ring Width	3.18mm
	Ring Width	4.64mm

Part Number:

Description:

AVAILABLE AT STD/020/040

Engine:

Piston OE:

Ring OE:



BORE Ø	A (mm)	B (mm)	C (mm)	D (mm)	E (mm)	F (mm)
108.000	127.00	73.08	-23.50	39.69		51.00



	Ring Width	3.85mm
	Ring Width	3.18mm
	Ring Width	3.18mm
	Ring Width	4.76mm
	Ring Width	4.76mm

Part Number:

Description:

AVAILABLE AT STD/020/040

Engine:

Piston OE:

Ring OE:



BORE Ø	A (mm)	B (mm)	C (mm)	D (mm)	E (mm)	F (mm)
82.550	83.06	47.65	-12.95	28.58		41.30



	Ring Width	2.30mm
	Ring Width	2.02mm
	Ring Width	3.96mm
	Ring Width	3.96mm

Part Number:

Description:

Engine:

Piston OE:

Ring OE:



BORE Ø	A (mm)	B (mm)	C (mm)	D (mm)	E (mm)	F (mm)
98.430	89.35	58.98	-17.00	33.35		49.60



	Ring Width	3.00mm
	Ring Width	2.40mm
	Ring Width	4.76mm

Part Number:

Description:

Engine:

Piston OE:

Ring OE:



BORE Ø	A (mm)	B (mm)	C (mm)	D (mm)	E (mm)	F (mm)
80.960	103.19	65.16	-15.37	26.99		



	Ring Width	3.90mm
	Ring Width	2.40mm
	Ring Width	2.40mm
	Ring Width	3.96mm
	Ring Width	3.96mm


Part Number:

Description:

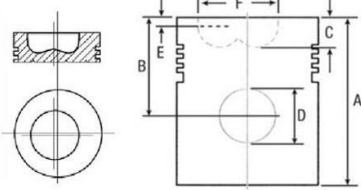
Engine:

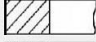


Piston OE:

Ring OE:



BORE ϕ	A (mm)	B (mm)	C (mm)	D (mm)	E (mm)	F (mm)
86.000	69.10	43.29	-14.90	24.88		41.90



	Ring Width	1.80mm
	Ring Width	2.02mm
	Ring Width	4.00mm

Part Number:

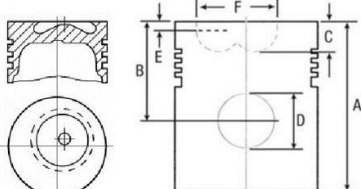
Description:






Engine:

Piston OE:

Ring OE:

BORE ϕ	A (mm)	B (mm)	C (mm)	D (mm)	E (mm)	F (mm)
76.200	103.19	65.15	-15.42	25.40		29.30



	Ring Width	3.10mm
	Ring Width	2.40mm
	Ring Width	2.40mm
	Ring Width	3.96mm
	Ring Width	3.96mm

Part Number:

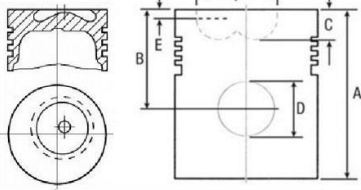
Description:

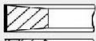


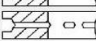
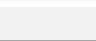
Engine:

Piston OE:

Ring OE:

BORE ϕ	A (mm)	B (mm)	C (mm)	D (mm)	E (mm)	F (mm)
76.200	103.18	65.14	-15.38	25.40		



	Ring Width	3.90mm
	Ring Width	2.36mm
	Ring Width	2.36mm
	Ring Width	3.94mm
	Ring Width	3.94mm

Part Number:

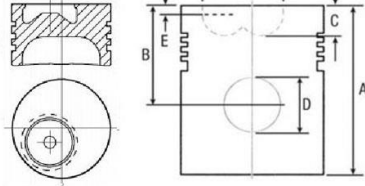
Description:

Engine:

Piston OE:

Ring OE:

BORE Ø	A (mm)	B (mm)	C (mm)	D (mm)	E (mm)	F (mm)
80.960	103.18	65.16	-15.37	26.98		17.00



	Ring Width	3.90mm
	Ring Width	2.40mm
	Ring Width	2.40mm
	Ring Width	3.96mm
	Ring Width	3.96mm

Part Number:

Description:

Engine:

Piston OE:

Ring OE:



BORE Ø	A (mm)	B (mm)	C (mm)	D (mm)	E (mm)	F (mm)
84.176	98.26	60.20		28.50	-3.50	



	Ring Width	2.46mm
	Ring Width	2.46mm
	Ring Width	2.46mm
	Ring Width	4.80mm
	Ring Width	4.80mm

Part Number:

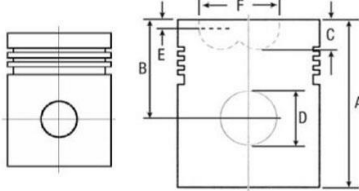
Description:


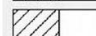
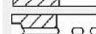

Engine:

Piston OE:

Ring OE:

BORE Ø	A (mm)	B (mm)	C (mm)	D (mm)	E (mm)	F (mm)
80.000	87.99	49.68		22.23		



	Ring Width	2.44mm
	Ring Width	2.44mm
	Ring Width	4.78mm
	Ring Width	4.78mm


Part Number:

Description:

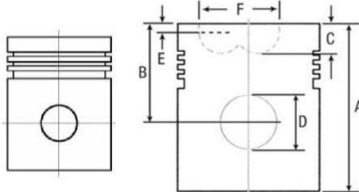
Engine:




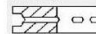

Piston OE:

Ring OE:



BORE Ø	A (mm)	B (mm)	C (mm)	D (mm)	E (mm)	F (mm)
85.000	87.57	51.00		22.45		



	Ring Width	2.04mm
	Ring Width	2.04mm
	Ring Width	2.04mm
	Ring Width	4.78mm
	Ring Width	4.00mm

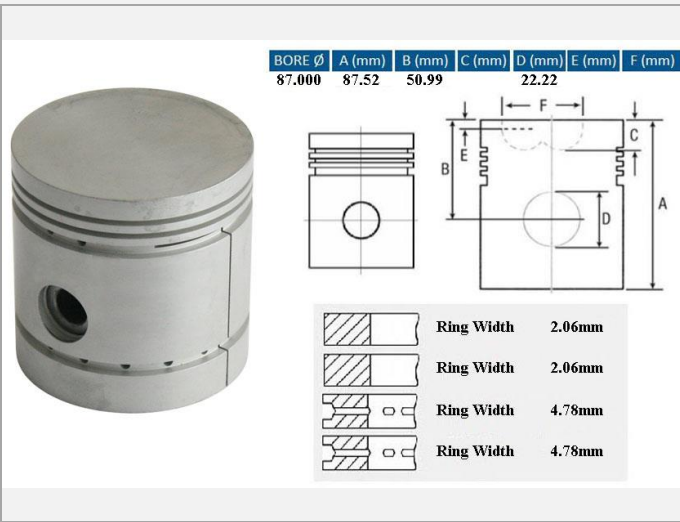
Part Number:

Description:

Engine:

Piston OE:

Ring OE:



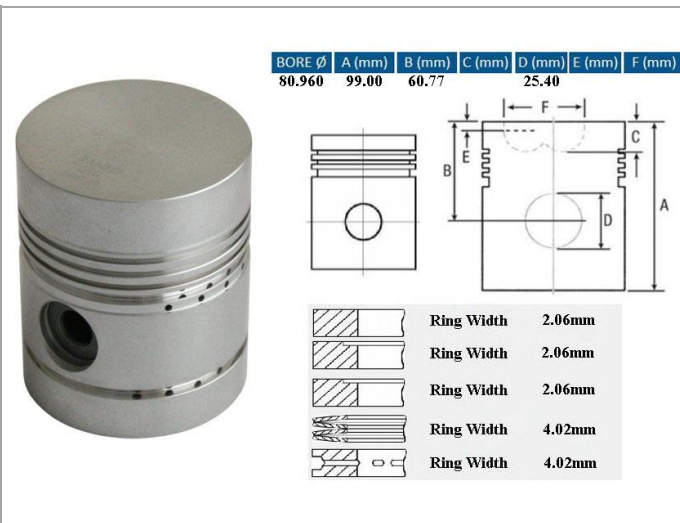
Part Number: EM2367P+P

Description: RINGS TO SUIT - EM2368
AVAILABLE AT STD
PISTON ASSEMBLY - EM2367

Engine: 87MM

Piston OE: 826276M91

Ring OE: 826279M1/828192M1



Part Number: EM5518P+P

Description: RINGS TO SUIT - EM5525
AVAILABLE AT STD
PISTON ASSEMBLY - EM5518

Engine: 20C

Piston OE: 115741F

Ring OE: 1881798M91



Part Number: EM8492

Description: RINGS TO SUIT - EM8840
AVAILABLE AT STD

Engine: P4000

Piston OE: P4015

Ring OE: P4017



Part Number:

Description:

Engine:

Piston OE:

Ring OE:



BORE Ø	A (mm)	B (mm)	C (mm)	D (mm)	E (mm)	F (mm)
91.490	109.37	61.77	-18.17	31.75		55.84



	Ring Width	2.32mm
	Ring Width	2.32mm
	Ring Width	3.18mm
	Ring Width	6.27mm
	Ring Width	6.27mm


Part Number:

Description:

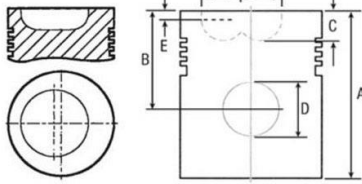
Engine:



Piston OE:

Ring OE:



BORE Ø	A (mm)	B (mm)	C (mm)	D (mm)	E (mm)	F (mm)
98.476	127.28	76.53	-19.04	34.93		54.00



	Ring Width	2.32mm
	Ring Width	2.32mm
	Ring Width	2.32mm
	Ring Width	6.27mm


Part Number:

Description:

Engine:



Piston OE:

Ring OE:



BORE Ø	A (mm)	B (mm)	C (mm)	D (mm)	E (mm)	F (mm)
98.476	120.65	69.92	-20.15	34.93		61.00



	Ring Width	2.32mm
	Ring Width	2.32mm
	Ring Width	2.32mm
	Ring Width	6.27mm
	Ring Width	6.27mm


Part Number:

Description:

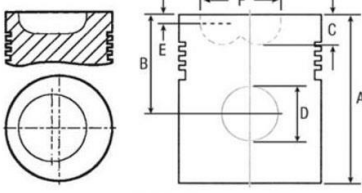
Engine:


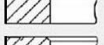


Piston OE:

Ring OE:



BORE Ø	A (mm)	B (mm)	C (mm)	D (mm)	E (mm)	F (mm)
101.054	120.69	69.92	-20.56	34.93		61.30



	Ring Width	2.32mm
	Ring Width	2.32mm
	Ring Width	2.32mm
	Ring Width	6.27mm

Part Number:

Description:

Engine:



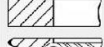
Piston OE:

Ring OE:



BORE Ø	A (mm)	B (mm)	C (mm)	D (mm)	E (mm)	F (mm)
114.313	124.61	70.68	-24.08	36.51		65.80



	Ring Width	2.32mm
	Ring Width	2.32mm
	Ring Width	2.32mm
	Ring Width	6.27mm


Part Number:

Description:

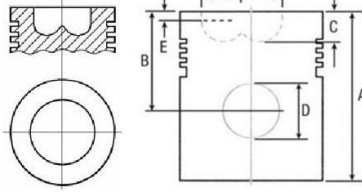
Engine:

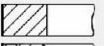
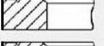
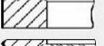

Piston OE:

Ring OE:



BORE Ø	A (mm)	B (mm)	C (mm)	D (mm)	E (mm)	F (mm)
98.476	120.42	69.65	-19.08	38.10		66.40



	Ring Width	3.12mm
	Ring Width	2.34mm
	Ring Width	2.34mm
	Ring Width	6.27mm

Part Number:

Description:

Engine:

Piston OE:

Ring OE:



Part Number: EM2297

Description: RINGS TO SUIT - EM616
AVAILABLE AT STD

Engine: 6.354.4, A6.354.4

Piston OE: 31355226

Ring OE: 41158017



Part Number: EM2299

Description: RINGS TO SUIT - EMF852
AVAILABLE AT STD
PISTON ASSEMBLY - EM2299ASSY

Engine: AT4.236, T4.236

Piston OE: U5LP0022

Ring OE: 41158005



Part Number: EM2303

Description: RINGS TO SUIT - EM2750
AVAILABLE AT STD

Engine: 1004.4 T, 1004.4T, 1006.60 T, 1006.6T

Piston OE: U5LL0001

Ring OE: 4181A026



BORE ϕ	A (mm)	B (mm)	C (mm)	D (mm)	E (mm)	F (mm)
107.950	114.20	68.18	-19.36	44.45	-2.30	68.00



	Ring Width	2.34mm
	Ring Width	2.34mm
	Ring Width	4.70mm
	Ring Width	4.70mm

Part Number: EM2384P+P

Description: RINGS TO SUIT - EM2385
AVAILABLE AT STD
PISTON ASSEMBLY - EM2384

Engine: V8.540

Piston OE: 92508

Ring OE: 41158113



BORE ϕ	A (mm)	B (mm)	C (mm)	D (mm)	E (mm)	F (mm)
91.491	107.70	56.92		31.75		



	Ring Width	2.34mm
	Ring Width	2.34mm
	Ring Width	3.18mm
	Ring Width	6.27mm
	Ring Width	6.27mm

Part Number: EM245

Description: RINGS TO SUIT - EM611
AVAILABLE AT STD
PISTON ASSEMBLY - EM245-A

Engine: 3.152, 4.203, A3.152

Piston OE: 81512

Ring OE: 41158058



BORE ϕ	A (mm)	B (mm)	C (mm)	D (mm)	E (mm)	F (mm)
98.476	116.13	76.53	-19.57	34.93		54.00



	Ring Width	2.34mm
	Ring Width	2.34mm
	Ring Width	6.32mm


Part Number: EM246

Description: RINGS TO SUIT - EM609
AVAILABLE AT STD

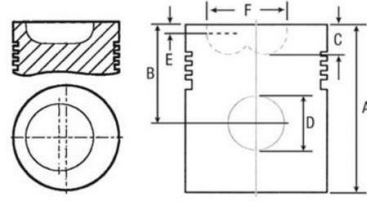
Engine: 4.212, A4.212




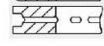

Piston OE: 89206

Ring OE: 41158045



BORE Ø	A (mm)	B (mm)	C (mm)	D (mm)	E (mm)	F (mm)
98.476	121.11	70.34	-20.31	34.93		61.10



	Ring Width	2.32mm
	Ring Width	2.32mm
	Ring Width	2.32mm
	Ring Width	6.27mm
	Ring Width	6.27mm

Part Number:

Description:

Engine:

Piston OE:

Ring OE:



BORE Ø	A (mm)	B (mm)	C (mm)	D (mm)	E (mm)	F (mm)
91.491	109.25	61.63	-18.70	31.75		60.00



	Ring Width	2.34mm
	Ring Width	2.34mm
	Ring Width	2.34mm
	Ring Width	4.65mm


Part Number:

Description:

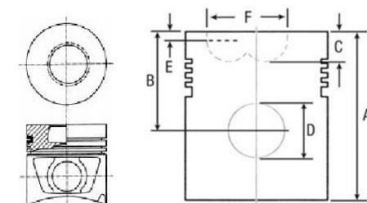
Engine:

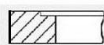

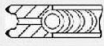
Piston OE:

Ring OE:



BORE Ø	A (mm)	B (mm)	C (mm)	D (mm)	E (mm)	F (mm)
101.054	121.18	70.25	-24.27	34.93		39.80



	Ring Width	2.43mm
	Ring Width	2.43mm
	Ring Width	4.95mm

Part Number:

Description:

Engine:

Piston OE:

Ring OE:



BORE ϕ	A (mm)	B (mm)	C (mm)	D (mm)	E (mm)	F (mm)
98.476	108.42	70.25	-20.00	38.00		60.90



	Ring Width	3.04mm
	Ring Width	2.34mm
	Ring Width	4.68mm

Part Number:

Description:

Engine:

Piston OE:

Ring OE:



BORE ϕ	A (mm)	B (mm)	C (mm)	D (mm)	E (mm)	F (mm)
100.000	108.00	70.02	-20.14	34.93		55.30



	Ring Width	2.43mm
	Ring Width	2.43mm
	Ring Width	3.92mm

Part Number:

Description:

Engine:

Piston OE:

Ring OE:



BORE ϕ	A (mm)	B (mm)	C (mm)	D (mm)	E (mm)	F (mm)
100.000	108.00	70.02	-20.14	38.00		57.02



	Ring Width	3.35mm
	Ring Width	2.42mm
	Ring Width	3.95mm

Part Number:

Description:

Engine:

Piston OE:

Ring OE:



BORE Ø	A (mm)	B (mm)	C (mm)	D (mm)	E (mm)	F (mm)
79.375	105.41	50.24		26.99		



	Ring Width	2.05mm
	Ring Width	1.66mm
	Ring Width	1.66mm
	Ring Width	3.18mm
	Ring Width	4.77mm


Part Number:

Description:

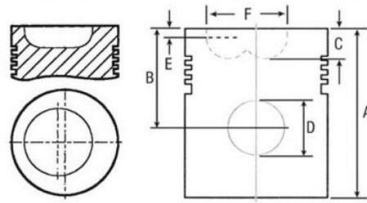
Engine:

Piston OE:

Ring OE:



BORE Ø	A (mm)	B (mm)	C (mm)	D (mm)	E (mm)	F (mm)
98.480	120.90	70.50	-20.30	35.00		60.80



Part Number:

Description:

Engine:


Piston OE:

Ring OE:



BORE Ø	A (mm)	B (mm)	C (mm)	D (mm)	E (mm)	F (mm)
98.476	120.73	69.92	-25.32	34.93		54.00



	Ring Width	2.32mm
	Ring Width	2.32mm
	Ring Width	2.32mm
	Ring Width	6.27mm
	Ring Width	6.27mm


Part Number:

Description:

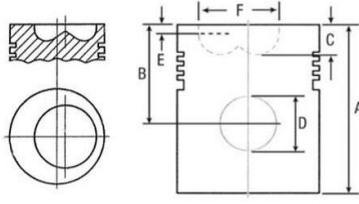
Engine:




Piston OE:

Ring OE:



BORE Ø	A (mm)	B (mm)	C (mm)	D (mm)	E (mm)	F (mm)
98.476	120.84	70.04	-25.45	34.93		54.00



	Ring Width	2.34mm
	Ring Width	2.34mm
	Ring Width	4.68mm

Part Number:

Description:

Engine:

Piston OE:

Ring OE:



BORE Ø	A (mm)	B (mm)	C (mm)	D (mm)	E (mm)	F (mm)
98.476	107.85	69.75	-18.67	38.10		67.00



	Ring Width	3.04mm
	Ring Width	2.34mm
	Ring Width	4.68mm


Part Number:

Description:

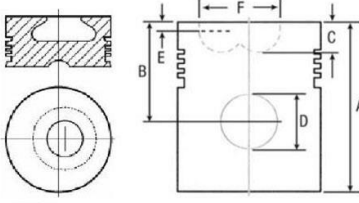
Engine:




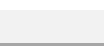
Piston OE:

Ring OE:



BORE Ø	A (mm)	B (mm)	C (mm)	D (mm)	E (mm)	F (mm)
91.491	109.30	61.69	-21.87	31.75		



	Ring Width	2.34mm
	Ring Width	2.34mm
	Ring Width	2.34mm
	Ring Width	4.65mm

Part Number:

Description:

Engine:

Piston OE:

Ring OE:



BORE Ø	A (mm)	B (mm)	C (mm)	D (mm)	E (mm)	F (mm)
103.000	108.30	69.30	-22.00	39.70	-0.70	52.30



	Ring Width	2.56mm
	Ring Width	2.56mm
	Ring Width	3.58mm

Part Number:

Description:

Engine:

Piston OE:

Ring OE:



BORE Ø	A (mm)	B (mm)	C (mm)	D (mm)	E (mm)	F (mm)
94.300	99.76	63.36	-20.45	31.72		49.76



	Ring Width	2.56mm
	Ring Width	2.06mm
	Ring Width	4.04mm


Part Number:

Description:

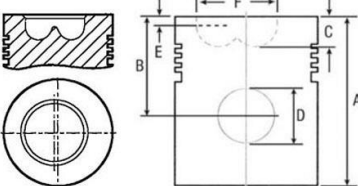
Engine:

Piston OE:

Ring OE:



BORE Ø	A (mm)	B (mm)	C (mm)	D (mm)	E (mm)	F (mm)
100.000	108.30	70.38	-20.20	39.75		52.55



Part Number:

Description:

Engine:

Piston OE:

Ring OE:



BORE ϕ	A (mm)	B (mm)	C (mm)	D (mm)	E (mm)	F (mm)
100.000	108.20	70.25	-21.50	39.70		52.90



	Ring Width	3.50mm
	Ring Width	2.58mm
	Ring Width	3.58mm

Part Number:

Description:

Engine:

Piston OE:

Ring OE:



BORE ϕ	A (mm)	B (mm)	C (mm)	D (mm)	E (mm)	F (mm)
101.054	120.80	69.88	-20.86	34.92		61.40



	Ring Width	2.43mm
	Ring Width	2.43mm
	Ring Width	4.95mm

Part Number:

Description:

Engine:

Piston OE:

Ring OE:



BORE ϕ	A (mm)	B (mm)	C (mm)	D (mm)	E (mm)	F (mm)
105.000	108.00	70.15	-22.30	39.70		51.40



	Ring Width	2.64mm
	Ring Width	2.60mm
	Ring Width	3.58mm

Part Number:

Description:

Engine:

Piston OE:

Ring OE:



Part Number: EM6990P+P

Description: RINGS TO SUIT - EMF6993
AVAILABLE AT STD/020/040
PISTON ASSEMBLY - EM6990

Engine: 1104

Piston OE: 4115P015

Ring OE: UPRK0002



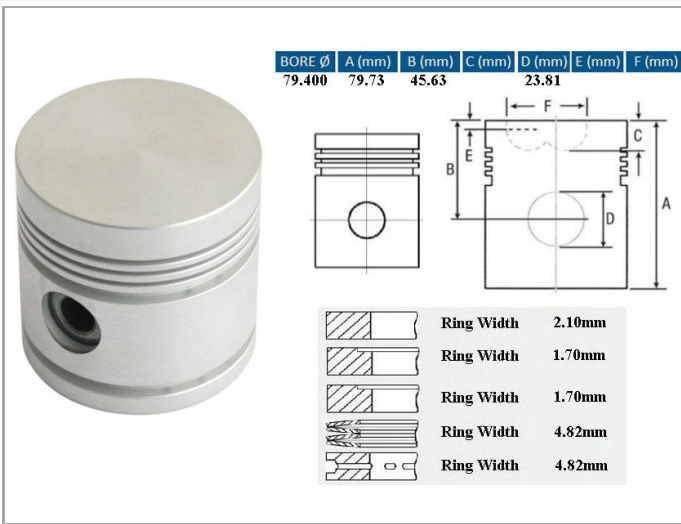
Part Number: EM722

Description: RINGS TO SUIT - EM847
AVAILABLE AT STD

Engine: A6.354.1

Piston OE: 68512

Ring OE: 41158032



Part Number: EM7236

Description: RINGS TO SUIT - EM4029
AVAILABLE AT STD

Engine: A4.107, 4.107

Piston OE: 89216

Ring OE: 41158085

BORE ϕ	A (mm)	B (mm)	C (mm)	D (mm)	E (mm)	F (mm)
88.925	107.50	57.22		31.70		




	Ring Width	2.44mm
	Ring Width	2.44mm
	Ring Width	3.18mm
	Ring Width	6.44mm
	Ring Width	6.44mm

Part Number:


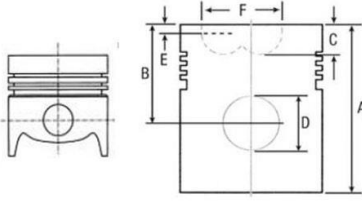
Description:


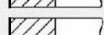

Engine:

Piston OE:

Ring OE:

BORE ϕ	A (mm)	B (mm)	C (mm)	D (mm)	E (mm)	F (mm)
75.000	65.60	35.65		21.00		

	Ring Width	2.08mm
	Ring Width	1.58mm
	Ring Width	4.07mm

Part Number:

Description:

Engine:

Piston OE:

Ring OE:

BORE ϕ	A (mm)	B (mm)	C (mm)	D (mm)	E (mm)	F (mm)
67.000	59.00	33.00		19.00		




	Ring Width	1.60mm
	Ring Width	1.60mm
	Ring Width	3.10mm

Part Number:

Description:

Engine:

Piston OE:

Ring OE:



BORE Ø	A (mm)	B (mm)	C (mm)	D (mm)	E (mm)	F (mm)
84.000	87.70	47.63		28.00	-2.55	



	Ring Width	2.10mm
	Ring Width	1.60mm
	Ring Width	4.08mm


Part Number:

Description:

Engine:

Piston OE:

Ring OE:



BORE Ø	A (mm)	B (mm)	C (mm)	D (mm)	E (mm)	F (mm)
84.000	87.80	47.80		28.00	-1.80	



	Ring Width	2.10mm
	Ring Width	1.60mm
	Ring Width	4.08mm


Part Number:

Description:

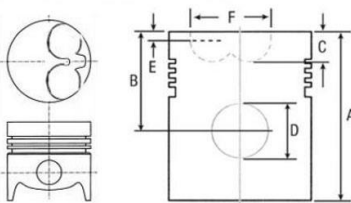
Engine:



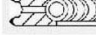
Piston OE:

Ring OE:



BORE Ø	A (mm)	B (mm)	C (mm)	D (mm)	E (mm)	F (mm)
83.950	87.80	47.85		28.10	-1.65	



	Ring Width	2.10mm
	Ring Width	1.60mm
	Ring Width	3.10mm

Part Number:

Description:

Engine:

Piston OE:

Ring OE:



Part Number: EM9577

Description: RINGS TO SUIT - EM9578
 AVAILABLE AT STD
 ONLY AVAILABLE AS AN ASSEMBLY

Engine: 1104D-44T

Piston OE: U5PR0062

Ring OE: UPRK0005



Part Number: EM9579

Description: RINGS TO SUIT - EM9580
 AVAILABLE AT STD
 ONLY AVAILABLE AS AN ASSEMBLY

Engine: 403D-11, 403C-11

Piston OE: 115017621

Ring OE: 115104090

BORE Ø	A (mm)	B (mm)	C (mm)	D (mm)	E (mm)	F (mm)
96.800	105.99	63.60	-22.74	30.00	-0.60	

	Ring Width	2.42mm
	Ring Width	2.42mm
	Ring Width	2.42mm
	Ring Width	4.76mm

Part Number:

Description:

Engine:

Piston OE:

Ring OE:

BORE Ø	A (mm)	B (mm)	C (mm)	D (mm)	E (mm)	F (mm)
80.000	106.10	63.50	-23.55	30.00	-0.20	49.60

	Ring Width	2.38mm
	Ring Width	2.38mm
	Ring Width	2.38mm
	Ring Width	4.70mm

Part Number:

Description:

Engine:

Piston OE:

Ring OE:

BORE Ø	A (mm)	B (mm)	C (mm)	D (mm)	E (mm)	F (mm)
87.320	105.99	63.60	-25.10	30.00	-0.70	50.70

	Ring Width	2.38mm
	Ring Width	2.38mm
	Ring Width	2.38mm
	Ring Width	4.74mm

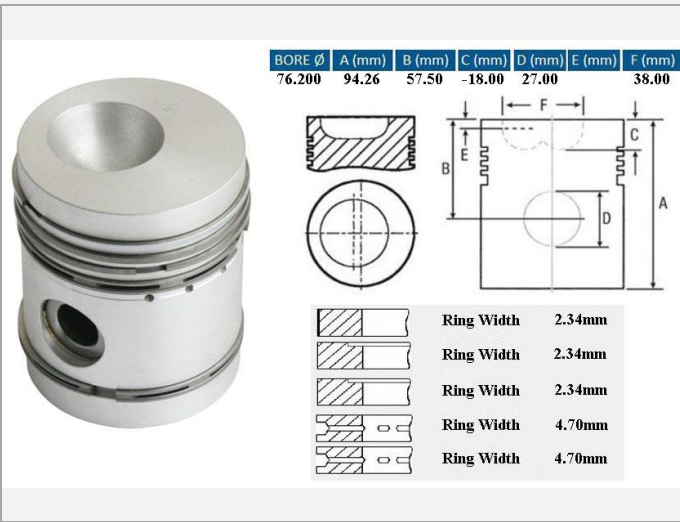
Part Number:

Description:

Engine:

Piston OE:

Ring OE:




Part Number:

Description:

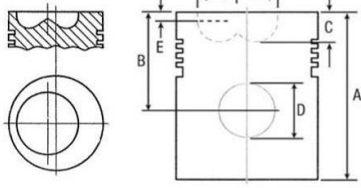
Engine:

Piston OE:

Ring OE:



BORE Ø	A (mm)	B (mm)	C (mm)	D (mm)	E (mm)	F (mm)
105.570	135.10	83.90	-23.60	41.00		54.20



Part Number:

Description:

Engine:

Piston OE:

Ring OE:



BORE Ø	A (mm)	B (mm)	C (mm)	D (mm)	E (mm)	F (mm)
120.520	137.50	92.75	-20.20	51.90	-2.00	63.70



	Ring Width	3.85mm
	Ring Width	3.15mm
	Ring Width	4.70mm

Part Number:

Description:

Engine:

Piston OE:

Ring OE:

8888
EMMARK UK LTD

THE ORIGINAL REPLACEMENT

Emmark House, 5 Carlisle Drive, Pudsey, Leeds LS28 8QS, England.

Tel: +44 (0)113 255 2344. Fax: +44(0)113 239 3856

E-Mail: sales@emmark.co.uk

Web site: www.emmarkuk.com